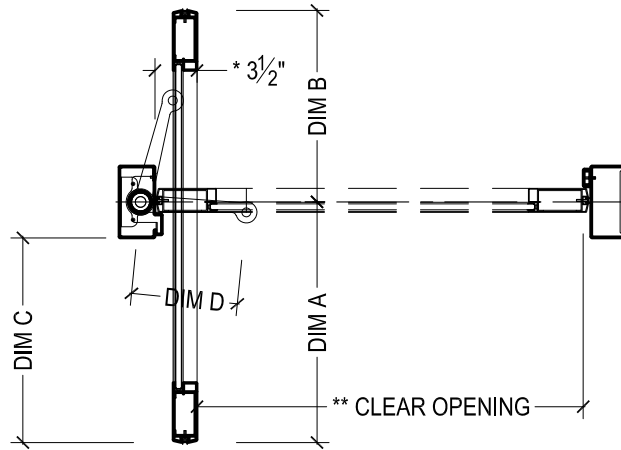


**DIMENSIONAL VALUES FOR BALANCED DOORS IN OPEN POSITION - (INCHES)**

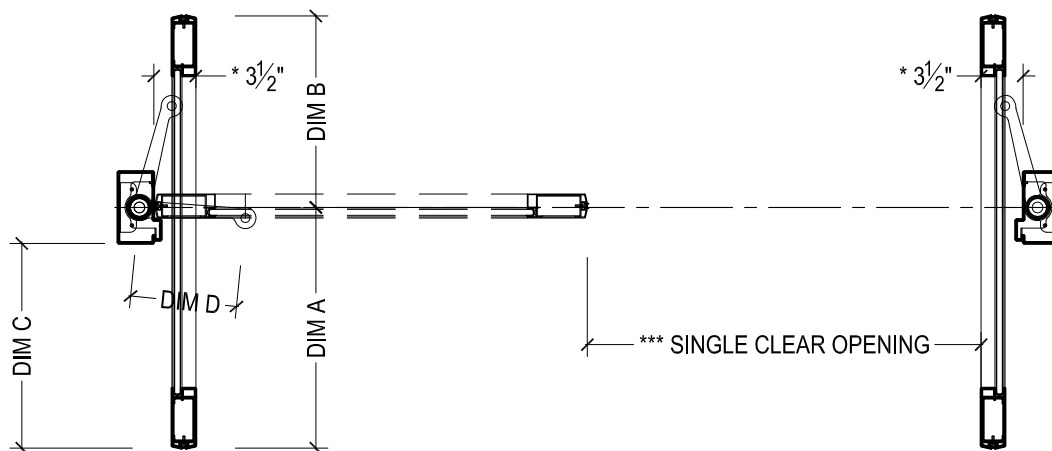
ARM SIZE	SHORT ARM							LONG ARM						
DOOR WIDTH	33"	34"	35"	36"	37"	38"	39"	40"	41"	42"	43"	44"	45"	46"
DIM A	20 <sup>1</sup> / <sub>2</sub> "	21 <sup>1</sup> / <sub>2</sub> "	22 <sup>1</sup> / <sub>2</sub> "	23 <sup>1</sup> / <sub>2</sub> "	24 <sup>1</sup> / <sub>2</sub> "	25 <sup>1</sup> / <sub>2</sub> "	26 <sup>1</sup> / <sub>2</sub> "	24"	25"	26"	27"	28"	29"	30"
DIM B	12 <sup>1</sup> / <sub>2</sub> "							16						
DIM C	17 <sup>1</sup> / <sub>2</sub> "	18 <sup>1</sup> / <sub>2</sub> "	19 <sup>1</sup> / <sub>2</sub> "	20 <sup>1</sup> / <sub>2</sub> "	21 <sup>1</sup> / <sub>2</sub> "	22 <sup>1</sup> / <sub>2</sub> "	23 <sup>1</sup> / <sub>2</sub> "	21"	22"	23"	24"	25"	26"	37"
DIM D	7 <sup>1</sup> / <sub>8</sub> "							8 <sup>7</sup> / <sub>8</sub> "						
CLEAR OPENING	29 <sup>3</sup> / <sub>16</sub> "	30 <sup>3</sup> / <sub>16</sub> "	31 <sup>3</sup> / <sub>16</sub> "	32 <sup>3</sup> / <sub>16</sub> "	33 <sup>3</sup> / <sub>16</sub> "	34 <sup>3</sup> / <sub>16</sub> "	35 <sup>3</sup> / <sub>16</sub> "	36 <sup>3</sup> / <sub>16</sub> "	37 <sup>3</sup> / <sub>16</sub> "	38 <sup>3</sup> / <sub>16</sub> "	39 <sup>3</sup> / <sub>16</sub> "	40 <sup>3</sup> / <sub>16</sub> "	41 <sup>3</sup> / <sub>16</sub> "	42 <sup>3</sup> / <sub>16</sub> "
SINGLE CLEAR OPENING	29 <sup>13</sup> / <sub>16</sub> "	30 <sup>13</sup> / <sub>16</sub> "	31 <sup>13</sup> / <sub>16</sub> "	32 <sup>13</sup> / <sub>16</sub> "	33 <sup>13</sup> / <sub>16</sub> "	34 <sup>13</sup> / <sub>16</sub> "	35 <sup>13</sup> / <sub>16</sub> "	36 <sup>13</sup> / <sub>16</sub> "	37 <sup>13</sup> / <sub>16</sub> "	38 <sup>13</sup> / <sub>16</sub> "	39 <sup>13</sup> / <sub>16</sub> "	40 <sup>13</sup> / <sub>16</sub> "	41 <sup>13</sup> / <sub>16</sub> "	42 <sup>13</sup> / <sub>16</sub> "



\* 3 <sup>1</sup>/<sub>2</sub>" DIMENSION MEASURED FROM JAMB TO INSIDE FACE OF 2" THICK DOOR IN 90° POSITION

\*\* SINGLE DOOR CLEAR OPENING MEASURED TO TOP OF <sup>5</sup>/<sub>8</sub>" TALL DOOR STOP

\*\*\*PAIR CLEAR OPENING IS EQUAL TO [SINGLE CLEAR OPENING] \* 2 - <sup>3</sup>/<sub>16</sub>"



DRAWN BY:	AG	DRAWING DATE:	9/27/19
SET #:	BAL-PLAN	DRAWING #:	BALANCED PLAN
DESCRIPTION:	PLAN VIEWS FOR DAWSON BALANCED DOORS		