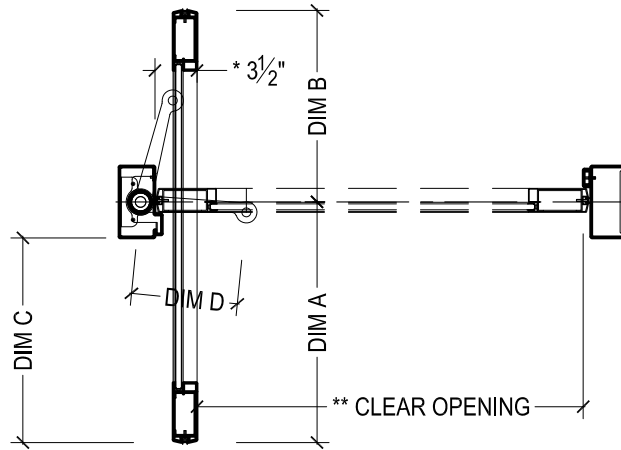


DIMENSIONAL VALUES FOR BALANCED DOORS IN OPEN POSITION - (INCHES)

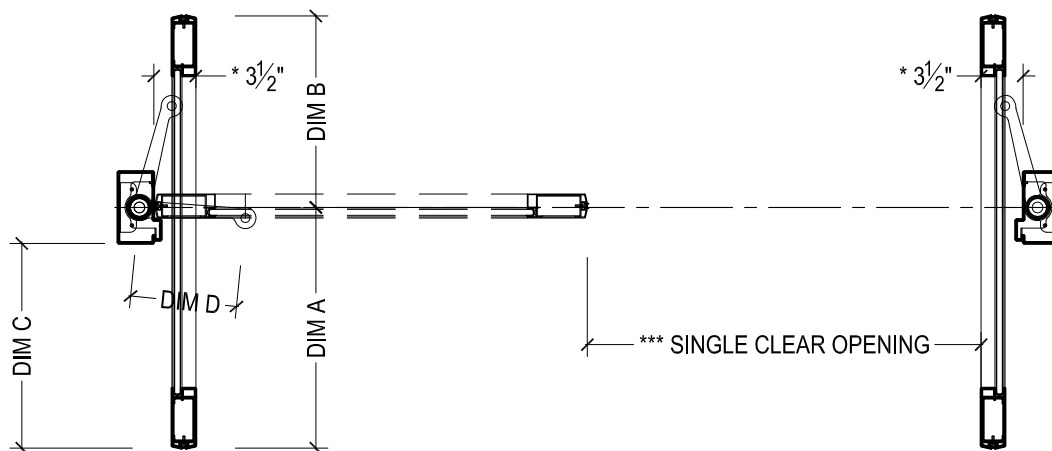
ARM SIZE	SHORT ARM							LONG ARM						
DOOR WIDTH	33"	34"	35"	36"	37"	38"	39"	40"	41"	42"	43"	44"	45"	46"
DIM A	20 ¹ / ₂ "	21 ¹ / ₂ "	22 ¹ / ₂ "	23 ¹ / ₂ "	24 ¹ / ₂ "	25 ¹ / ₂ "	26 ¹ / ₂ "	24"	25"	26"	27"	28"	29"	30"
DIM B	12 ¹ / ₂ "							16						
DIM C	17 ¹ / ₂ "	18 ¹ / ₂ "	19 ¹ / ₂ "	20 ¹ / ₂ "	21 ¹ / ₂ "	22 ¹ / ₂ "	23 ¹ / ₂ "	21"	22"	23"	24"	25"	26"	37"
DIM D	7 ¹ / ₈ "							8 ⁷ / ₈ "						
CLEAR OPENING	29 ³ / ₁₆ "	30 ³ / ₁₆ "	31 ³ / ₁₆ "	32 ³ / ₁₆ "	33 ³ / ₁₆ "	34 ³ / ₁₆ "	35 ³ / ₁₆ "	36 ³ / ₁₆ "	37 ³ / ₁₆ "	38 ³ / ₁₆ "	39 ³ / ₁₆ "	40 ³ / ₁₆ "	41 ³ / ₁₆ "	42 ³ / ₁₆ "
SINGLE CLEAR OPENING	29 ¹³ / ₁₆ "	30 ¹³ / ₁₆ "	31 ¹³ / ₁₆ "	32 ¹³ / ₁₆ "	33 ¹³ / ₁₆ "	34 ¹³ / ₁₆ "	35 ¹³ / ₁₆ "	36 ¹³ / ₁₆ "	37 ¹³ / ₁₆ "	38 ¹³ / ₁₆ "	39 ¹³ / ₁₆ "	40 ¹³ / ₁₆ "	41 ¹³ / ₁₆ "	42 ¹³ / ₁₆ "



* 3 ¹/₂" DIMENSION MEASURED FROM JAMB TO INSIDE FACE OF 2" THICK DOOR IN 90° POSITION

** SINGLE DOOR CLEAR OPENING MEASURED TO TOP OF ⁵/₈" TALL DOOR STOP

***PAIR CLEAR OPENING IS EQUAL TO [SINGLE CLEAR OPENING] * 2 - ³/₁₆"



DRAWN BY:	AG	DRAWING DATE:	9/27/19
SET #:	BAL-PLAN	DRAWING #:	BALANCED PLAN
DESCRIPTION:	PLAN VIEWS FOR DAWSON BALANCED DOORS		