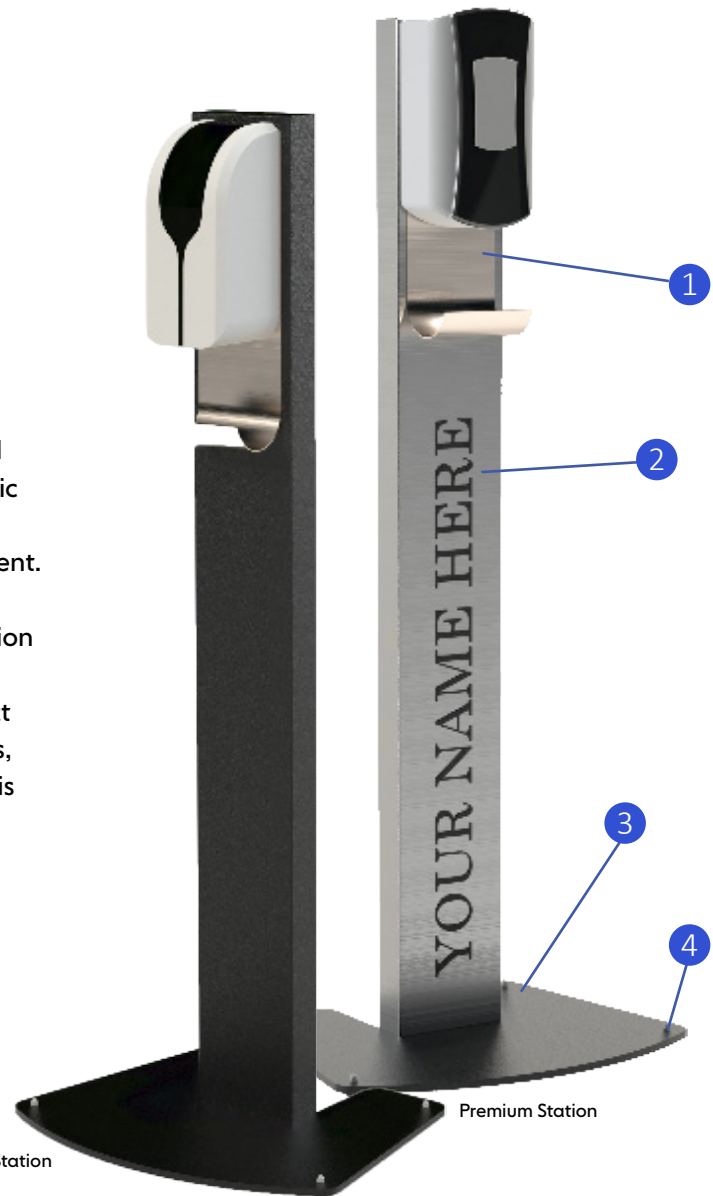


DAWSON

CUSTOM PRODUCT /

HAND SANITIZER STATION

Dawson knows a thing or two about quality metal products! Our heavy-duty and portable automatic hand sanitizer station will help protect your employees and customers while making a statement. This durable station has options! Choose from a standard powder coated black or a premium station customized with your logo/brand and powder coated with your preferred color. These are perfect for high-traffic areas such as entryways, walkways, and courtyards. Encourage hand hygiene with this attractive and prominent fixture!



KEY FEATURES

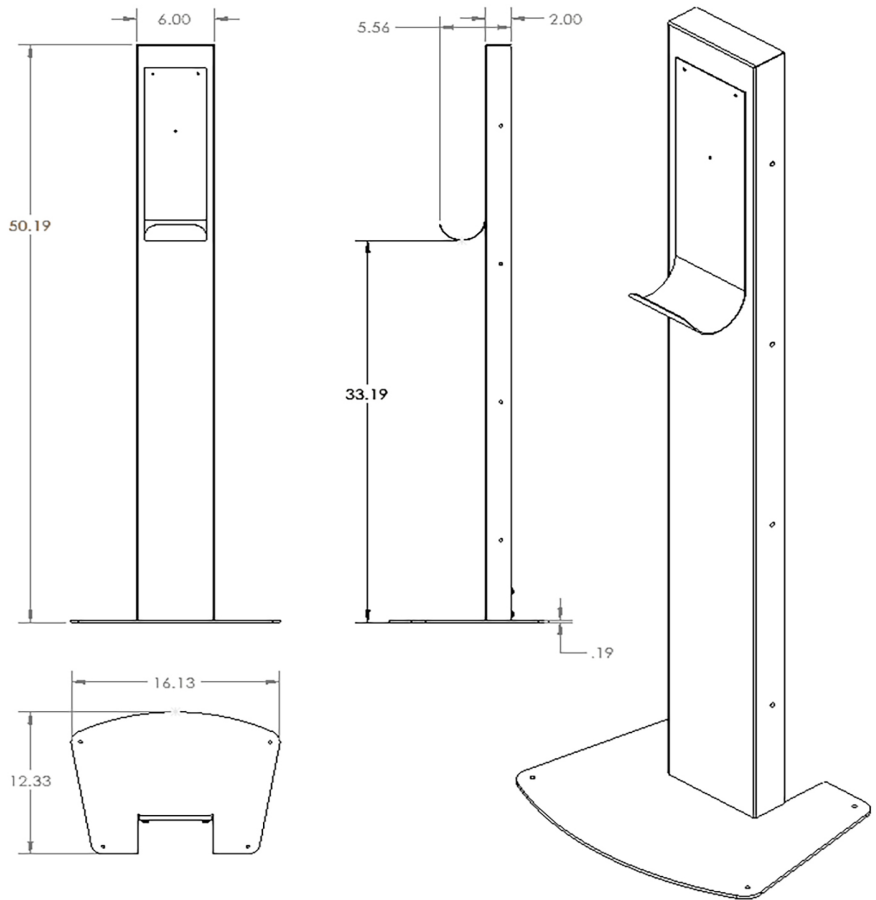
- 1 SANITIZER**
Buy bulk sanitizer from your preferred vendor as this automatic station is refillable with any solution.
- 2 BRANDING**
Choose from different branding options on our Premium Stations.
- 3 STEEL BASE**
Heavy-duty 8ga steel base to increase stability and prevent tipping.
- 4 SECURITY**
Use the (4) standard holes to mount casters or to tie down your unit for further stability.

TECHNICAL SPECIFICATIONS

Post Dimensions	2" x 6"
Base Width	16.2"
Base Depth	12.1"
Height	50"
Weight	24lbs
Base Plate Material	8ga steel
Standard Color	Powder-coated black
Premium Colors	Powder-coated any color or #4 satin stainless
Brandable Logo Plate*	5 3/4" x 5 3/4"
Brandable Area**	5" x 30"
Dispenser Type	Automatic / Touch-free
Orientation	Vertical

*Available on Standard stations
** Available on Premium stations

PRODUCT DIMENSIONS



ADDITIONAL INFORMATION

Proudly made in the USA with USA-sourced materials!



CUSTOM

Add your company name, seal, or logo to our Premium stations.



DURABLE DESIGN

Crafted from 16ga #4 satin finish stainless steel or 16ga galvanized and designed to withstand the elements.



FINISHING

Choose between a stainless steel satin finish or a powder coated finish.

DAWSON

A family-owned and operated business since 1946, Dawson Metal Company, Inc. remains the leading manufacturer of high-quality metal fabrications and architectural products, serving clientele in the United States and throughout the world. From simple to ornate, every project is designed and fabricated through a unique approach focused on providing the highest quality for the most challenging and demanding fabrications and finishes.

CALL US TO GET STARTED!

716 664 3815

DawsonMetal.com

825 Allen Street, Jamestown, NY 14701